

Reliable Low Cost Motion Control.

The UNI-BUG II...

The Ultimate Welding And Cutting System!



- Runs directly on workpieces up to 2" (51 mm) thick.
- Weighs only 14 lbs. (6.5 kg).
- Can go from a straight to a 6" (152 mm) radius inside or out.



BUG-O SYSTEMS

Powerful Solutions For Welding And Cutting Automation.

1-412-331-1776 www.bugo.com

Bug-O Systems is guided by honesty, integrity and ethics in service to our customers and in all we do.

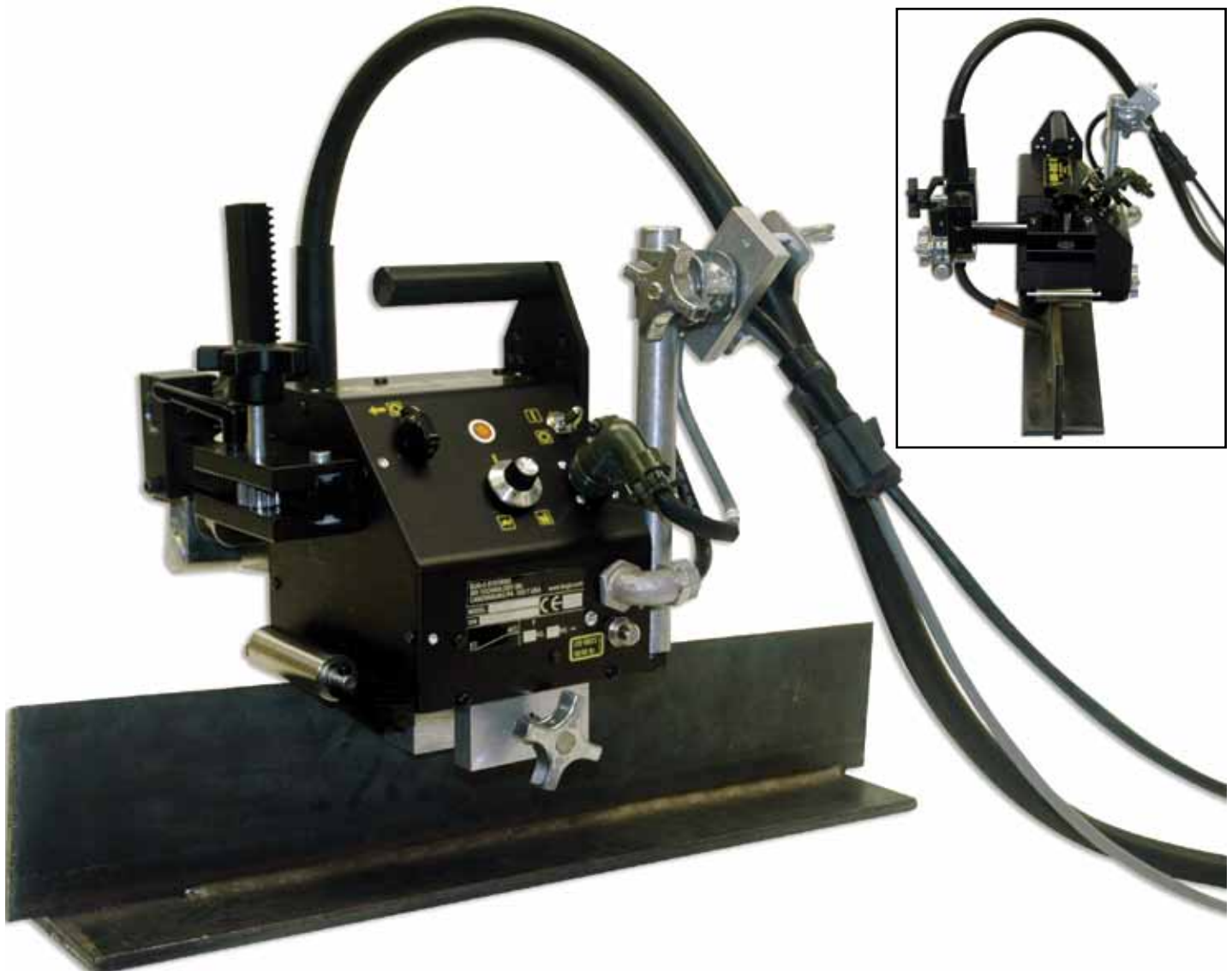
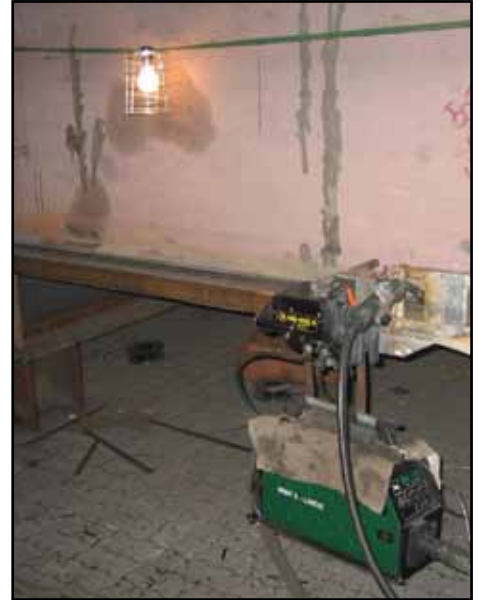


THE UNIVERSAL BUG-O II

The UNI-BUG II will carry a cutting torch or welding gun into tight work areas or around very tight curves without the use of a track. The built-in carrying handle allows for easy mounting and removal at any point along the workpiece. The UNI-BUG II can weld or cut both straight lines and radii as small as 6" (152.4 mm). It will travel at speeds of 4-75 ipm (102-1905 mm/min) with a 50 lb. (22.7 kg) load capacity.

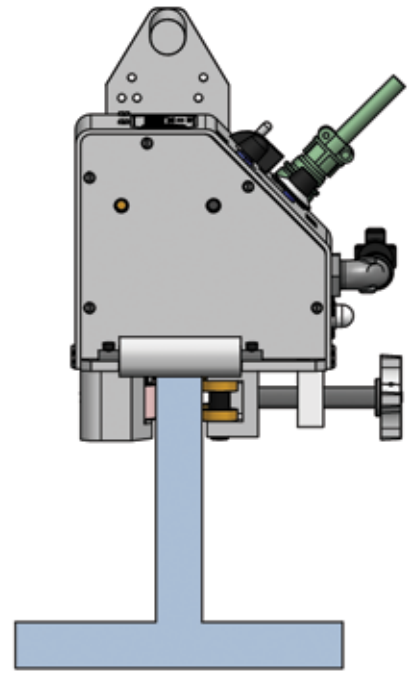
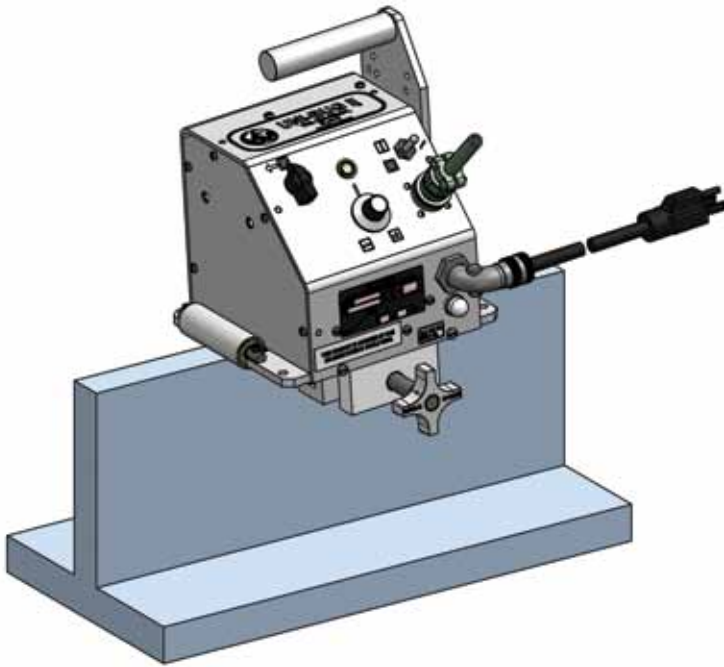
The UNI-BUG II is designed to run on the edge of a bar or stiffener from .188" (5mm) up to 2" (50.8 mm) thick as shown below.

Front and rear rollers support the machine and tilt it forward for better control and traction. This also sets the working direction. The machine must be turned around to weld the other side of the workpiece.



UNI-BUG II

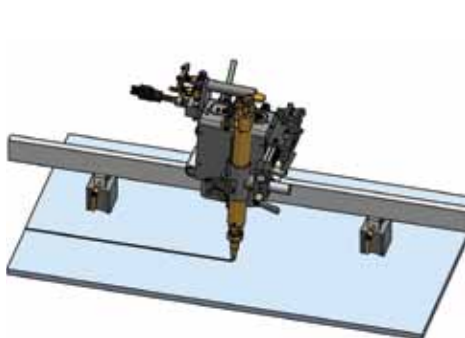
(Torch holding devices not shown for clarity, see back page).



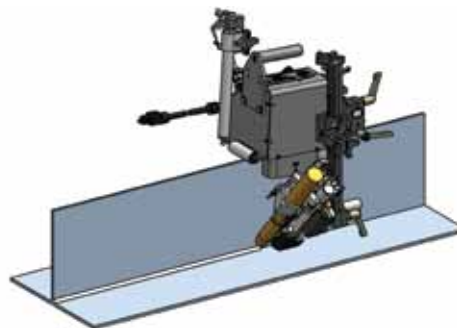
Features:

The UNI-BUG II is designed to run directly on the work piece. A gear motor turns two drive wheels on one side of the workpiece. On the other side of the workpiece is a bracket which has four idler wheels mounted on it. An idler screw knob is used to move the idler wheel bracket against the workpiece and clamp it between the four idler wheels and the two drive wheels. BUG-1855 Welding Group is required to clamp and position a welding gun. BUG-1875 Cutting Group is available for cutting applications.

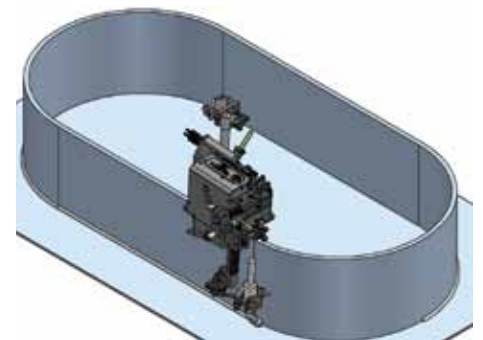
Typical UNI-BUG II applications.



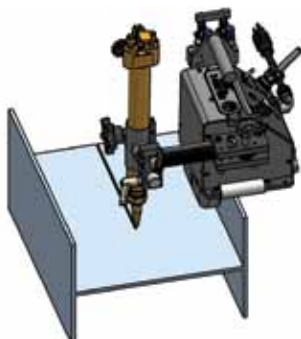
Straightline burning.



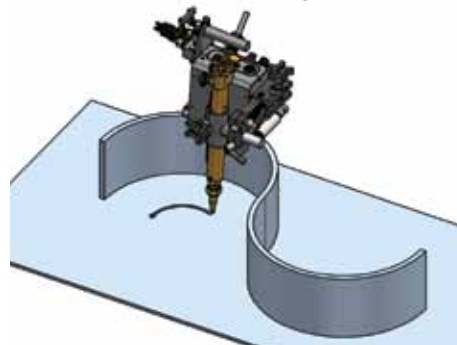
Fillet welding.



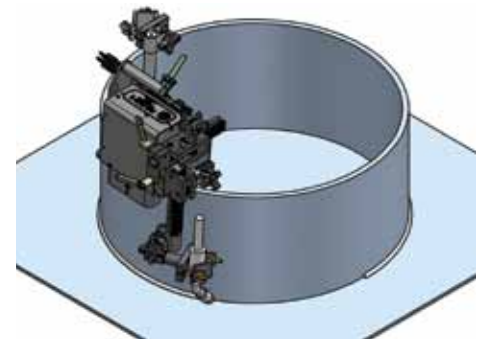
Coaming welding.



Beam splitting.



Irregular shape burning and welding.



Circle burning and welding.



THE UNIVERSAL BUG-O II

Technical Data:

Power Requirement: UNI-1000 120 VAC/50-60/1
 UNI-1002 240 VAC/50-60/1
 UNI-1004 42 VAC/50-60/1

Dimensions: 8.00" L x 7.62" W x 10.50" H
 (203 x 194 x 267 mm)

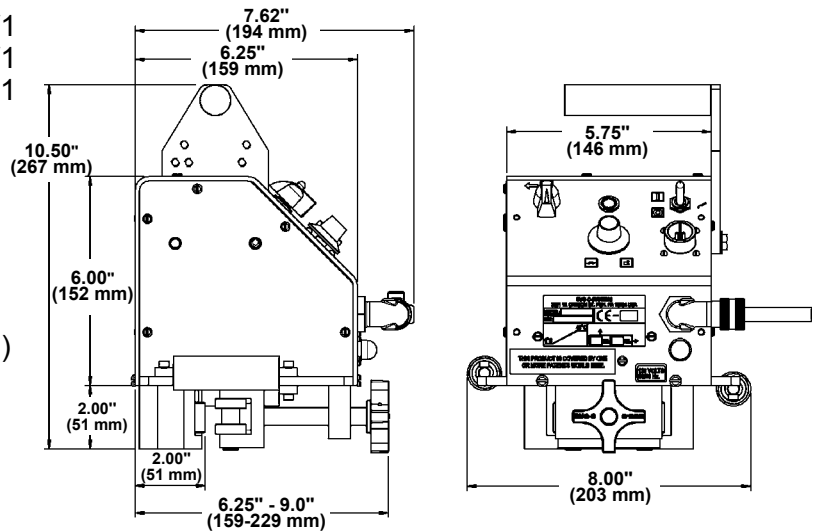
Speed Range: 4 ipm to 75 ipm
 (102 to 1905 mm/min)

Stiffener Size: .188" (5 mm) to 2" (50.8 mm)

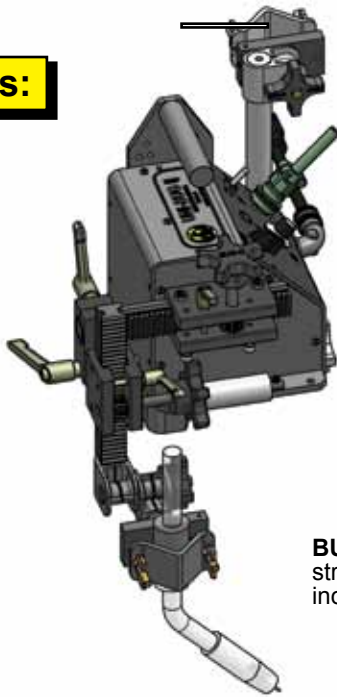
Net Weight: 14 lbs. (6.36 kg)

Shipping Weight: 16 lbs. (7.27 kg)

Dimensions:



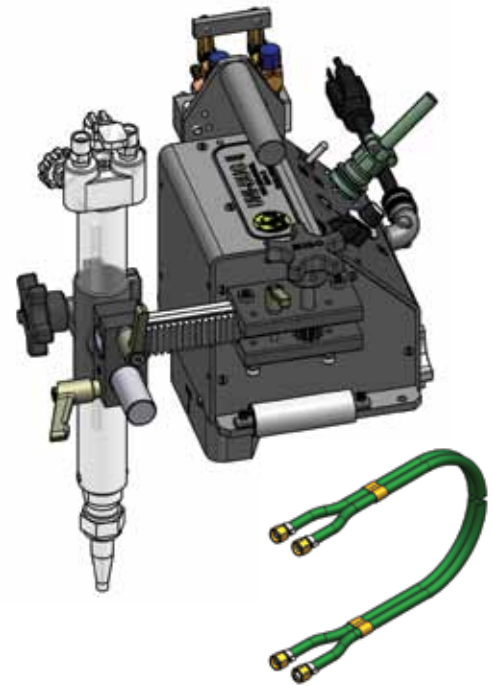
Kits:



NOTE:
 Minimum work height is 2" (50.8 mm).
 (4" [101.6 mm] when welding).
 Minimum work height with corner follower
 is 5" (127 mm).



BUG-1780 Rigid Rail is available for
 straight line applications, 40" (1 m) long,
 includes two ON/OFF magnets.



UNI-1100 UNI-BUG II Welding Kit 120 VAC/ 50-60/1
 UNI-1102 UNI-BUG II Welding Kit 240 VAC/ 50-60/1
 UNI-1104 UNI-BUG II Welding Kit 42 VAC/ 50-60/1

Net Weight: 19 lbs. (8.64 kg)

Shipping Weight: 21 lbs. (9.5 kg)

Includes:
 (1) BUG-1855 Welding Group
 (1) UNI-100_ UNI-BUG II

UNI-1200 UNI-BUG II Cutting Group 120 VAC/ 50-60/1
 UNI-1202 UNI-BUG II Cutting Group 240 VAC/ 50-60/1
 UNI-1204 UNI-BUG II Cutting Group 42 VAC/50-60/1

Net Weight: 20 lbs. (9.09 kg)

Shipping Weight: 22 lbs. (10.0 kg)

Includes:
 (1) BUG-1875 Cutting Group
 (1) UNI-100_ UNI-BUG II