
Bug-O Gantry / Side Beam Automatic Welding Systems



BUG-O SYSTEMS

Automated Welding & Cutting Since 1948

1-412-331-1776 www.bugo.com

Bug-O Systems is guided by honesty, integrity and ethics
in service to our customers and in all we do.

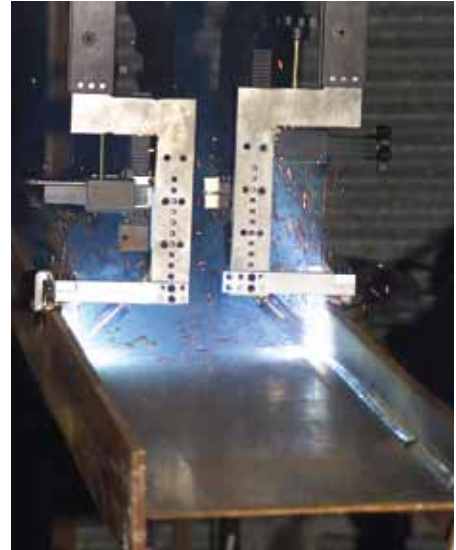
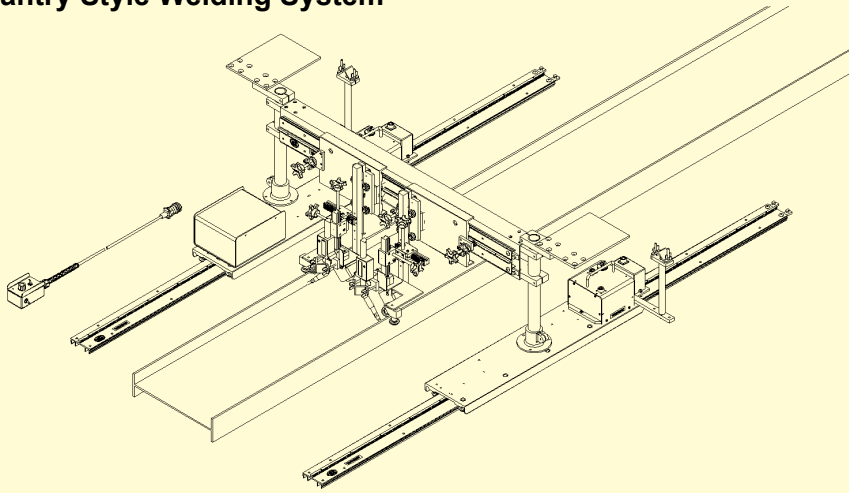




Bug-O Gantry / Side Beam Automatic Welding Systems

Bug-O Gantry and Side Beam Units are custom designed assemblies that are used in a variety of applications such as automated seam welding, beam and stiffener fabrication as well as cutting applications such as stripping and edge preparation. A wide range of gantry and side beam carriage designs are available and can be used to suite a specific application. Systems are available in programmable or manually operated versions. Consult your Bug-O distributor for more information.

Gantry Style Welding System



Mechanical torch tracking devices maintain proper torch position.

Side Beam Welding System

